

SHOCKWAVE

S5

S5

Shockwave S5-SS Suspension Base

SW-09108



Shockwave S5-SS Suspension Base

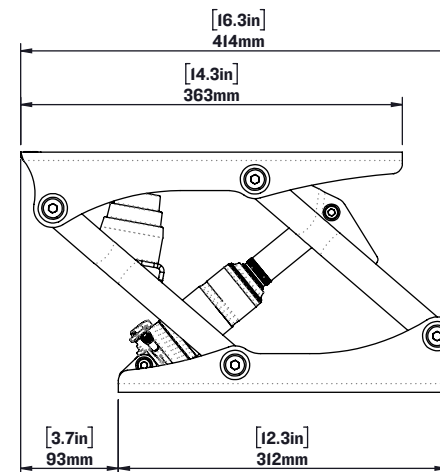
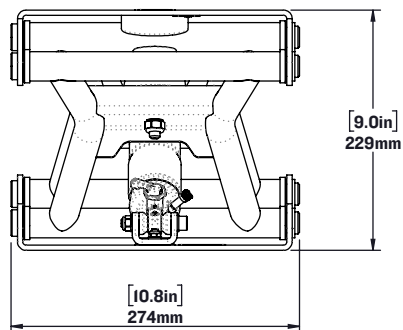
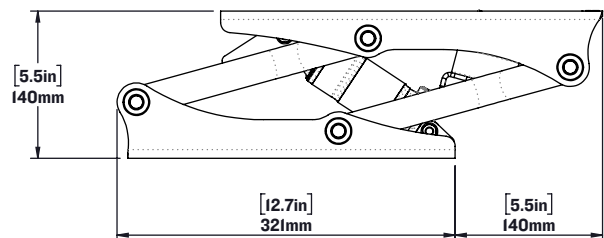
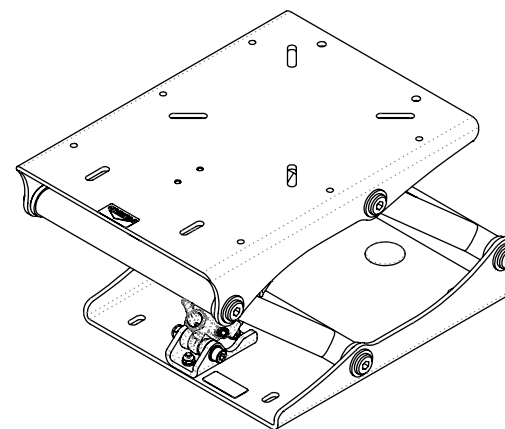
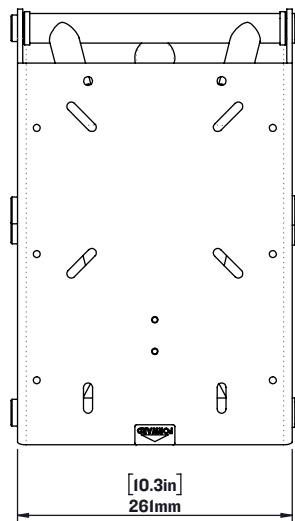
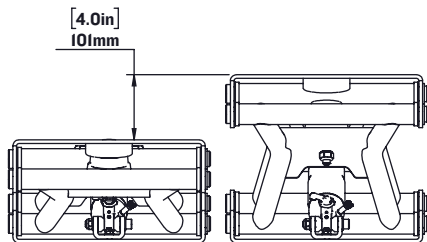
The new Shockwave S5-SS stainless steel suspension base is the latest addition to the S5 product line. Welded construction using electro-polished 316 stainless steel to last a lifetime. The Shockwave S5-SS is best suited for salt water environments with high salinity, humidity, and moderate to heavy sea conditions.

LEARN MORE ABOUT OUR PRODUCTS AT
SHOCKWAVESEATS.COM

TRAVEL
4" IN 100mm



+1-778-426-8545
sales@shockwvaseats.com



NOTE:
OCCUPIED SEAT HEIGHT WILL BE [1.0in] 25mm LOWER THAN LISTED DIMENSION

SHOCKWAVE

FOR MORE INFORMATION
CALL US AT 1-778-426-8545
OR VISIT US ONLINE AT
WWW.SHOCKWAVESEATS.COM

PROPRIETARY AND CONFIDENTIAL

NOTICE: THIS DRAWING MAY REVEAL DESIGNS OR INFORMATION
PROPRIETARY TO PROFESSIONAL COMPONENTS LTD. BY
ACCEPTANCE OF REPRODUCTIONS, RECIPIENTS AGREE
TO PROTECT PROFESSIONAL COMPONENTS LTD. RIGHTS
AND ARE WARNED AGAINST USE OF THE DOCUMENT FOR
ANY PURPOSE OTHER THAN THAT FOR WHICH IT WAS ISSUED.

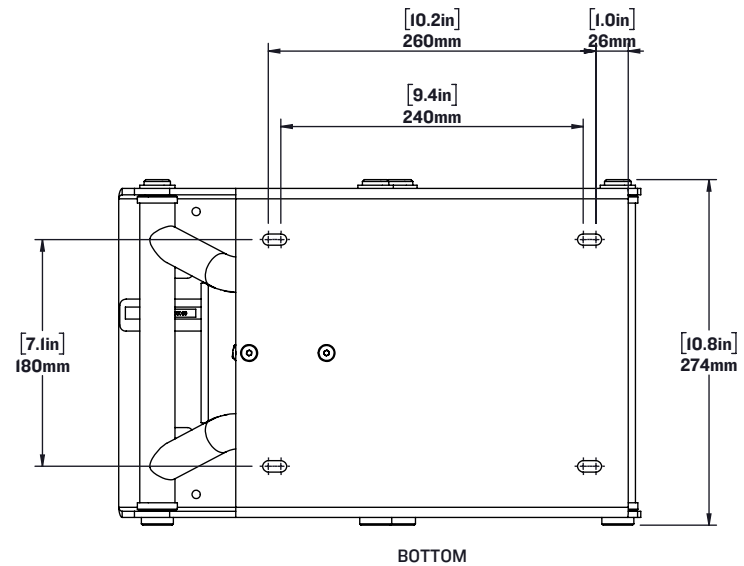
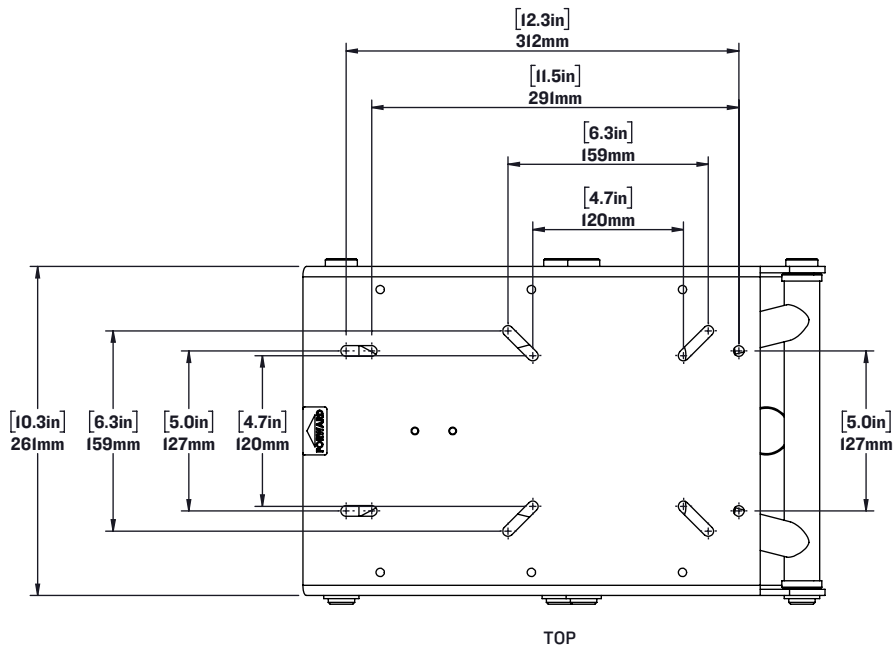
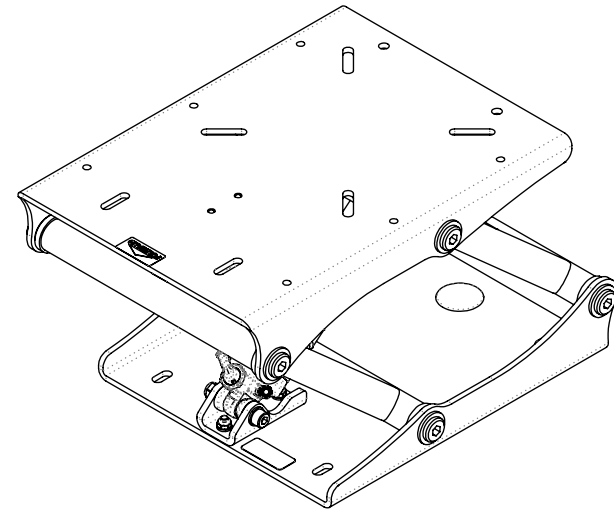
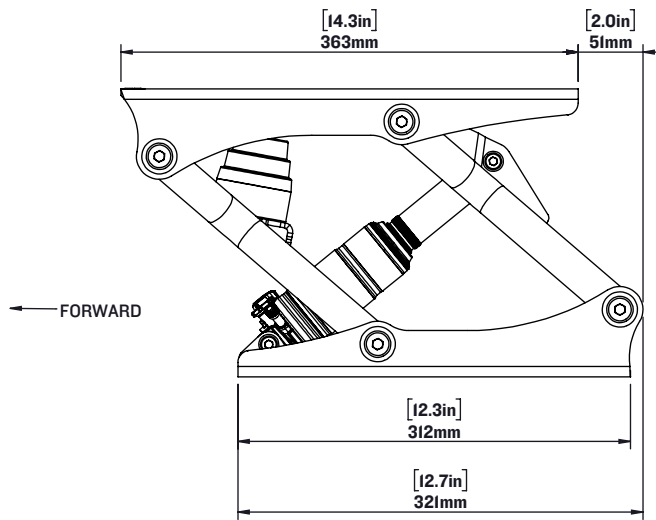
SW-09108
S5-SS Suspension Base

WEIGHT: [30.1 lbs] 13.6 kg

SCALE:1:7

SHEET 1 OF 1

REV: 01



NOTES:

1. ALL DIMENSIONED HOLES & SLOTS ARE FOR 5/16" OR 8MM FASTENERS

SHOCKWAVE

FOR MORE INFORMATION
CALL US AT 1-778-426-8545
OR VISIT US ONLINE AT
WWW.SHOCKWAVESEATS.COM

PROPRIETARY AND CONFIDENTIAL

NOTICE: THIS DRAWING MAY REVEAL DESIGNS OR INFORMATION PROPRIETARY TO PROFESSIONAL COMPONENTS LTD. BY ACCEPTANCE OF REPRODUCTIONS, RECIPIENTS AGREE TO PROTECT PROFESSIONAL COMPONENTS LTD. RIGHTS AND ARE WARNED AGAINST USE OF THE DOCUMENT FOR ANY PURPOSE OTHER THAN THAT FOR WHICH IT WAS ISSUED.

SW-09108

S5-SS Suspension Base

WEIGHT: [N/A lbs] N/A kg

SCALE:1:6

SHEET 1 OF 1

REV: 01