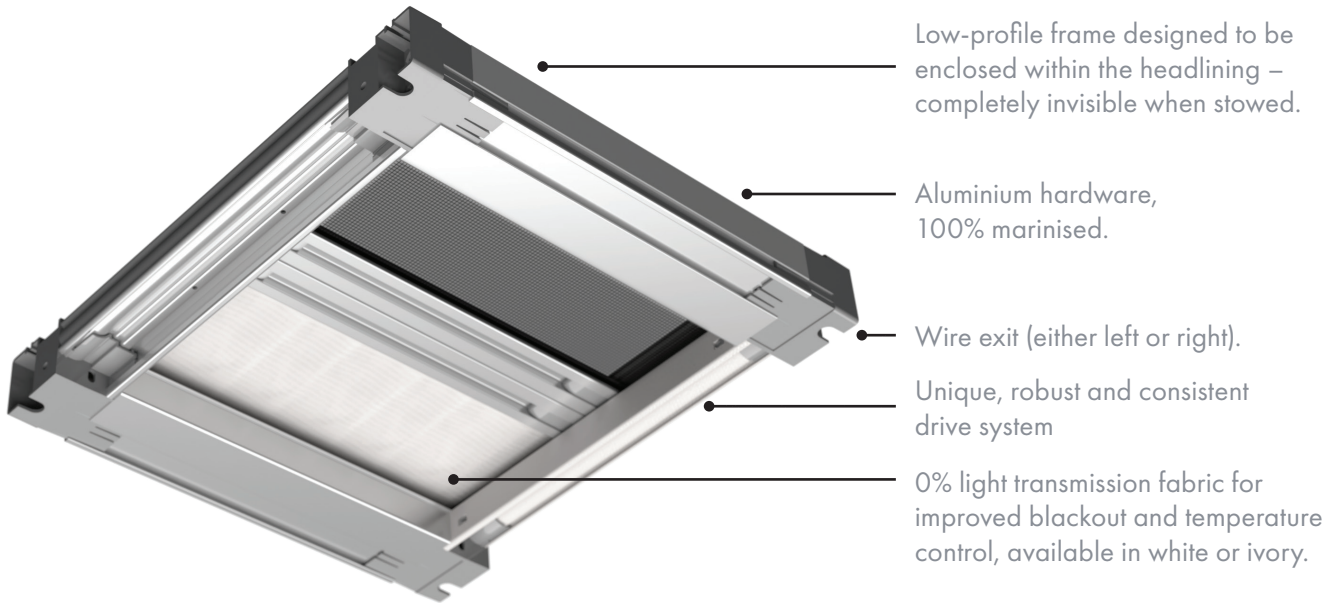




# seaSCREEN

Enclosed Powered

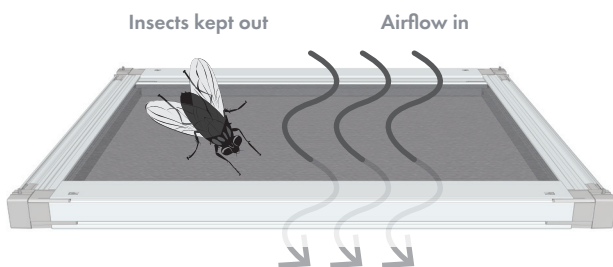


## Concealed roller blind and flyscreen to fit any size marine hatch

- Unique, robust and low-cost single motor system
- Wired switch or radio controlled operation
- Minimalist low-profile design
- Completely invisible when stowed
- Onboard privacy and comfort
- Cabin light and temperature control
- Reduce glare and control insects
- Fully marinised aluminium system
- Crossbar in silver as standard. Painted white or ivory on request

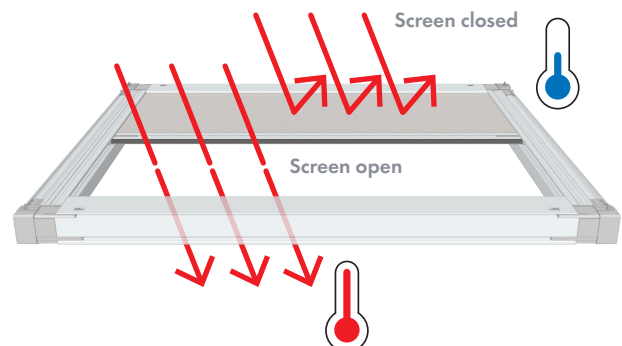
## Flyscreen

The PVC coated glass fibre weave of the Seaview flyscreen fabric allows air to flow around the cabin, while preventing minute insects access, as well as offering a long-lasting UV stable solution.



## Cabin temperature

By controlling light transmission and reflecting heat, hatch screens help control cabin temperature.

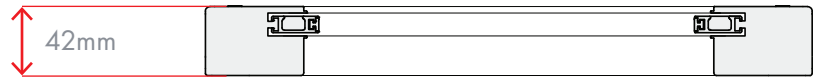
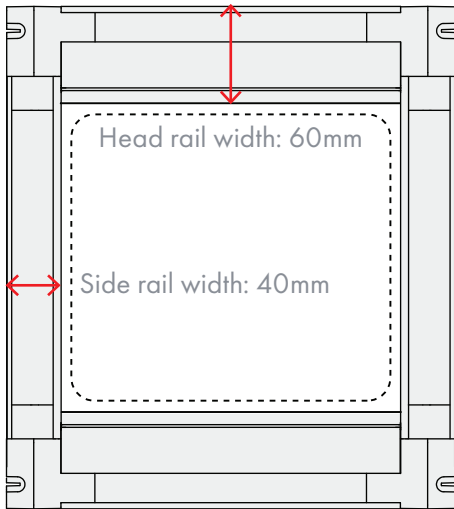




# seaSCREEN

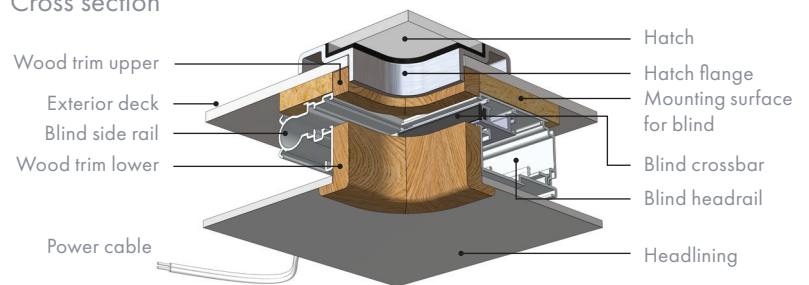
Enclosed Powered

Enclosed design for completely hidden blackout and flyscreen combined, or blackout only or flyscreen only



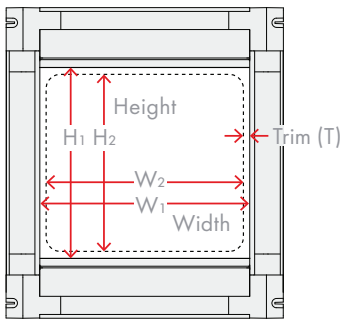
Frame thickness

Cross section



## SEASCREEN Enclosed Powered

Sizing:

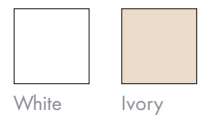


Height (H<sub>2</sub>) and Width (W<sub>2</sub>) are measured to the inner faces of the hatch trim. Trim thickness (T) is the distance between the inner face of the trim and the inner face of the blind. Seaview will calculate the overall blind aperture (H<sub>1</sub> x W<sub>1</sub>).

Minimum and maximum dimensions:

|         | Width (W) | Drop (H) |
|---------|-----------|----------|
| Minimum | 230mm     | 200mm    |
| Maximum | 1,000mm   | 1,000mm  |

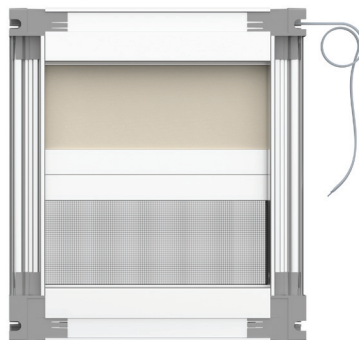
Fabric colour options



Power supply:  
24v DC

## SEASCREEN Enclosed available in manual or powered versions

Powered version



Manual version

