

Disc Springs / Caps

Black Trim Self Tailing Winches - Spare Parts

Andersen "Black Trim" self-tailing winches are easily recognised by a black plastic disc on top of the self-tailer. In earlier winches this part was essential for maintaining the spring pressure in the self tailer, and is referred to as a Disc Spring. In more recent models it serves only an aesthetic purpose and is called a Disc Cap.

Replacement Disc Springs and Disc Caps are still available for most Andersen winches as far back as 25 years or more. To determine the correct part number, check the dimensions of the original part and match them with the information in the table below. Dimensions are also shown on the drawings on the following pages.

If you do not have the original Disc Spring or Cap, there may be another winch of the same model on board that you can use for a reference. Alternatively, check the Year and Version Number which are stamped on the deck flange of your winch. You can use that together with the model number to match with the description of the correct part in the table below.

Part Numbers and Dimensions

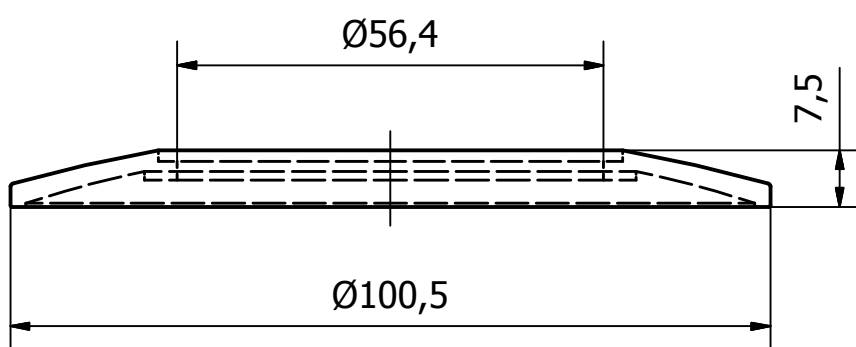
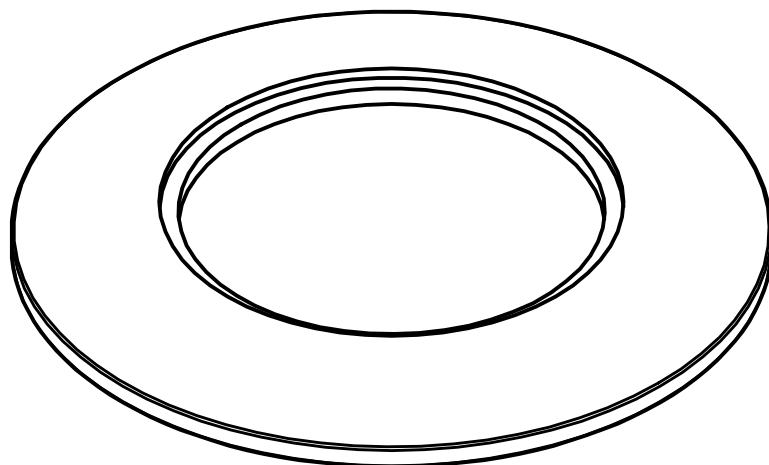
PRODUCT NO.	IDENTIFICATION DATE or VERSION	OUTSIDE DIA. (mm)	INSIDE DIA. (mm)	OVERALL HEIGHT (mm)
RA726300	DISC SPRING 12/28ST Ending 2005	100.5	56.4	7.5
RA726310	DISC CAP Starting: 12ST v.3.0 18ST v.1.0 28ST v.3.0 34ST v.1.0	102.8	73.9	5.0
RA535500	DISC SPRING 40ST Ending V2.0	109.2	59.5	9.4
RA535510	DISC CAP 40ST Starting V3.0	112.0	77.9	5.0
RA720800	DISC SPRING 46ST Ending 1993	113.0	46.0	16.5
RA712200	DISC SPRING 46ST Ending V4.0	124.5	61.0	11.5
RA712210	DISC CAP 46/58/50 ST Starting V4.1	128.6	89.5	6.0
RA526900	DISC SPRING 52ST Starting V1.0	145.0	66.5	14.5
RA526901	DISC SPRING 52ST Ending 2004	145.0	71.0	14.5
RA526902	DISC SPRING 52ST Ending V2.5	145.0	71.0	16.0
RA526910	DISC CAP 52ST Starting V3.0	149.0	105.5	8.3
RA723200	DISC SPRING 56ST	146.5	62.0	18.0
RA737000	###DISC SPRING 58/62ST Ending V1.3	163.0	84.0	14.4
RA737001	DISC SPRING 58/62ST Starting V1.4	167.4	82.8	19.6
RA530900	DISC SPRING 66ST	76.5	182.5	19.3
RA736900	###DISC SPRING 68/72ST Ending V2.4	203.0	100.8	16.5
RA736901	###DISC SPRING 68/72ST Starting V2.5	204.7	98.2	22.1
RA538600	###DISC SPRING 78ST	222.0	102.0	19.0
RA527500	###DISC SPRING 110ST	313.0	118.5	31.0

"###" in the description indicates parts available only while supplies last.

On all Andersen winches the production year, month and version number [YY-MM-VER.] are stamped on the top side of the deck flange between the mounting bolt holes; easy to see when the polished winch drum is removed.

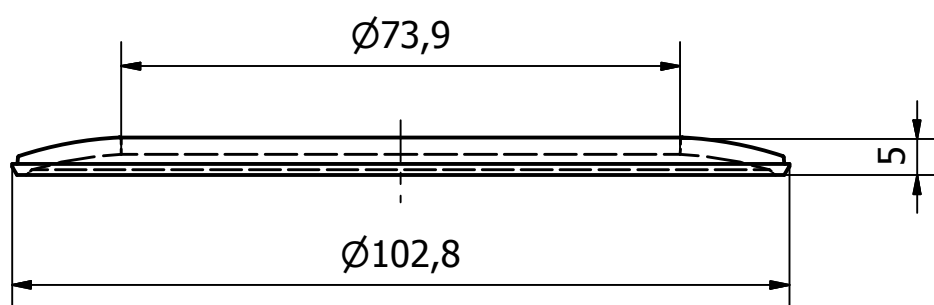
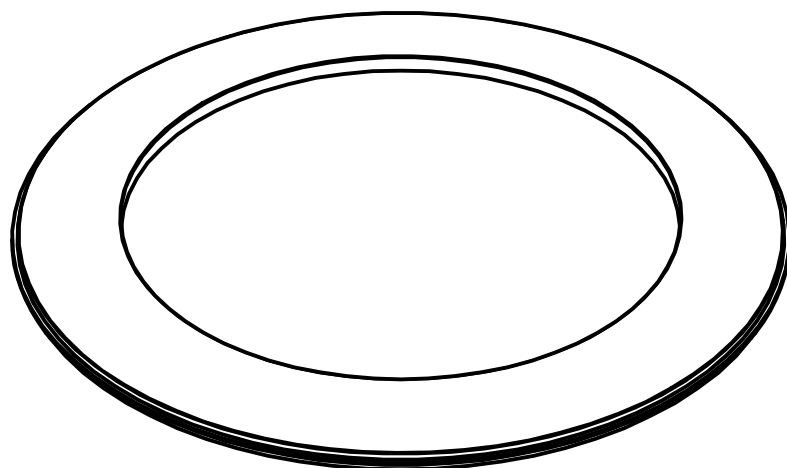
Example:
The winch in the photo is from July 2002, version number 1.2.





TITLE: **Disc Spring 12ST/28ST Ending 2005**

PART NUMBER: **RA726300**

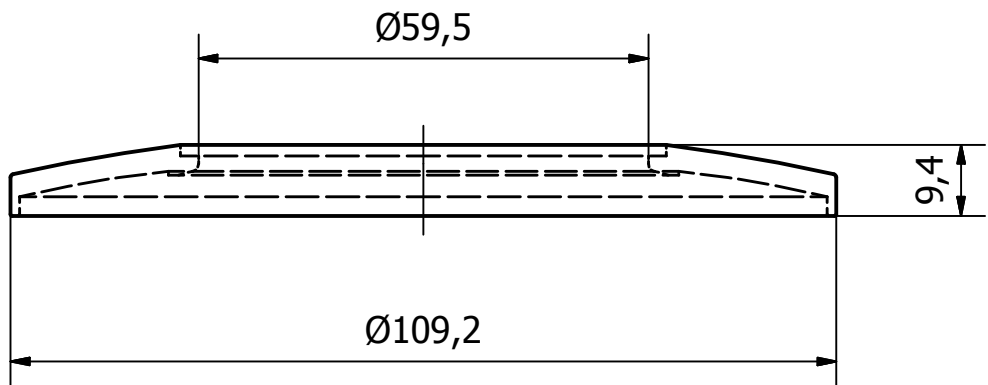
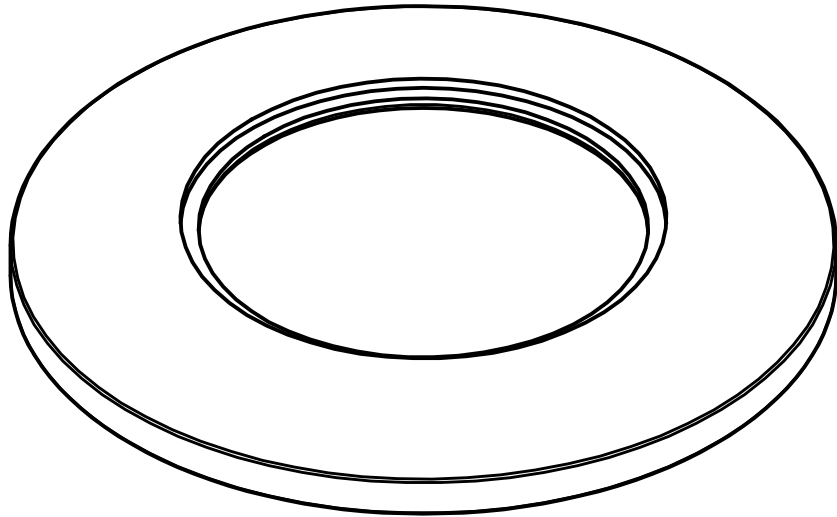


TITLE:

Disc Cap Starting..12ST v.3.0 / 18ST v.1.0 / 28ST v.3.0 / 34ST v.1.0

PART NUMBER

RA726310

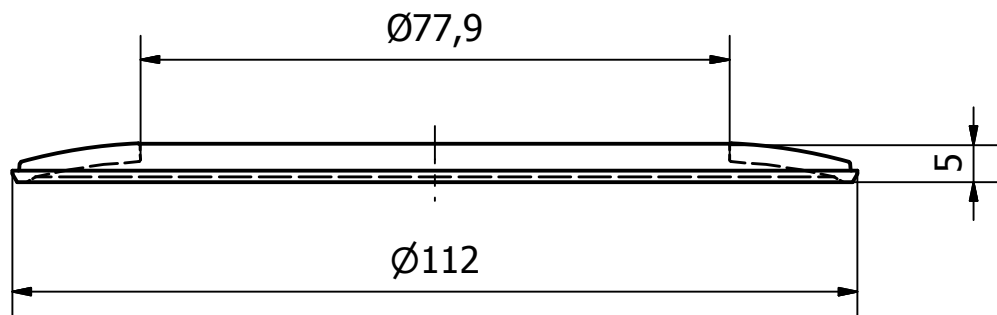
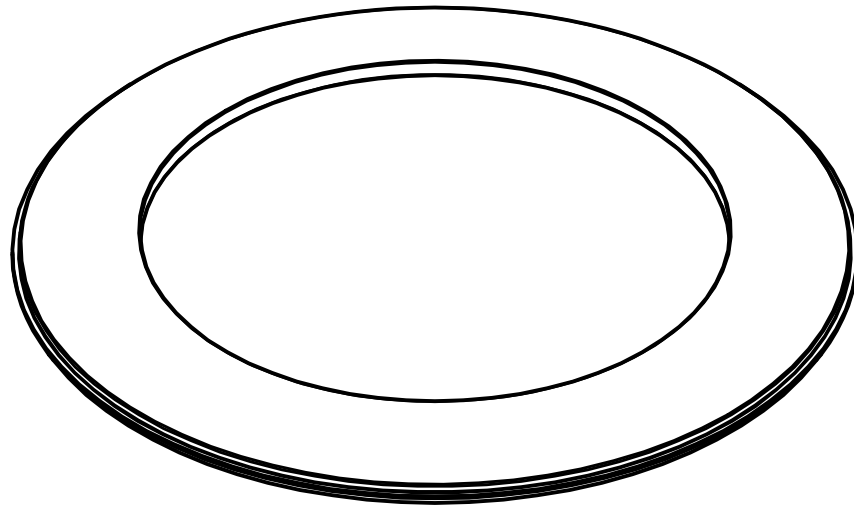


TITLE:

Disc Spring 40ST Ending v.2.0

PART NUMBER

RA535500

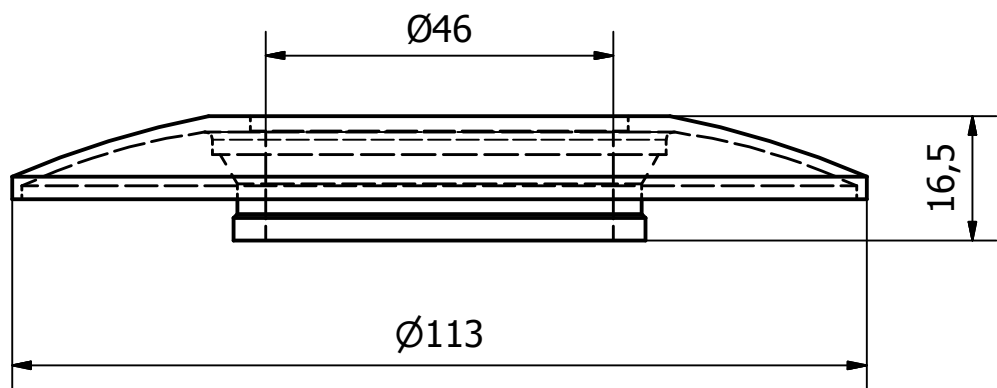
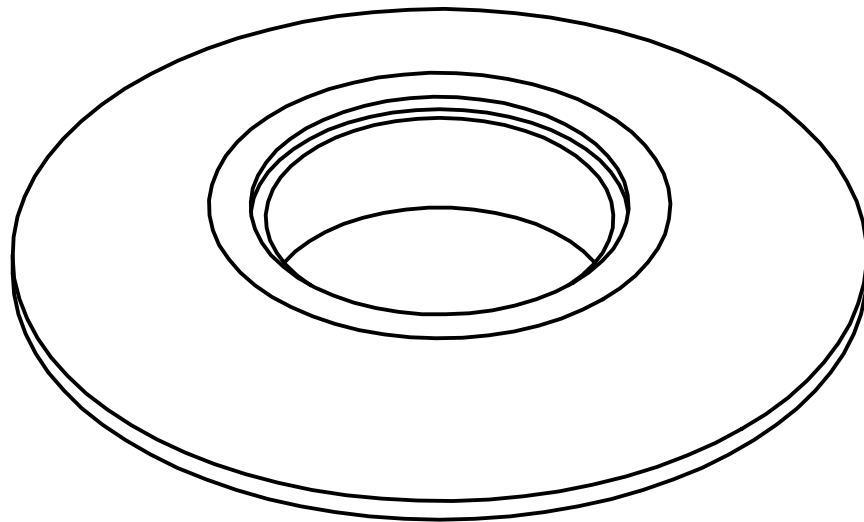


TITLE:

Disc Cap 40ST Starting v.3.0

PART NUMBER

RA535510

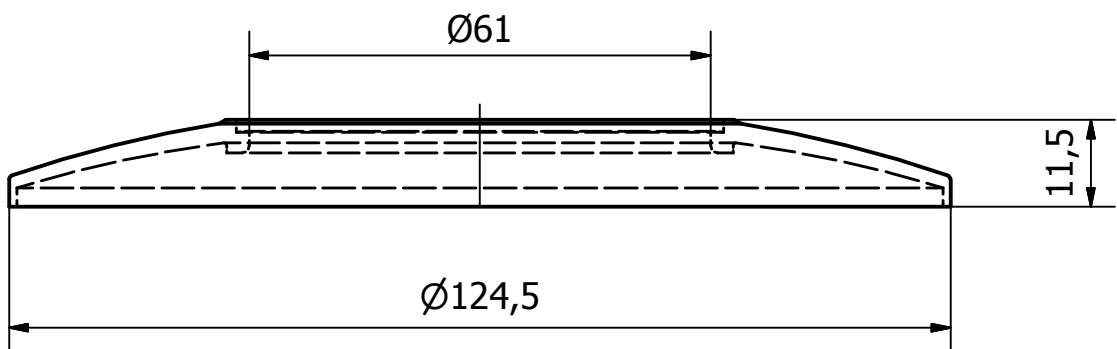
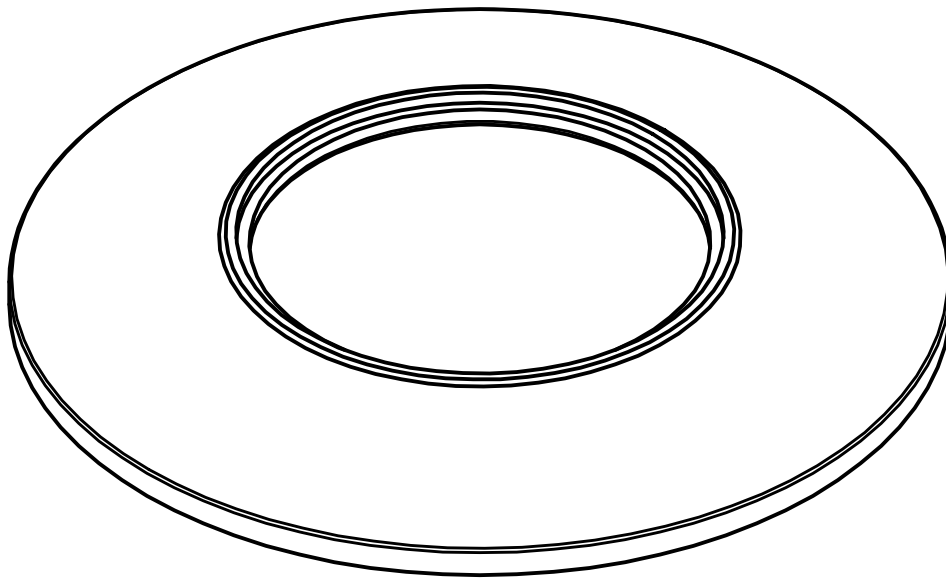


TITLE:

Disc Spring 46ST Ending 1993

PART NUMBER

RA720800

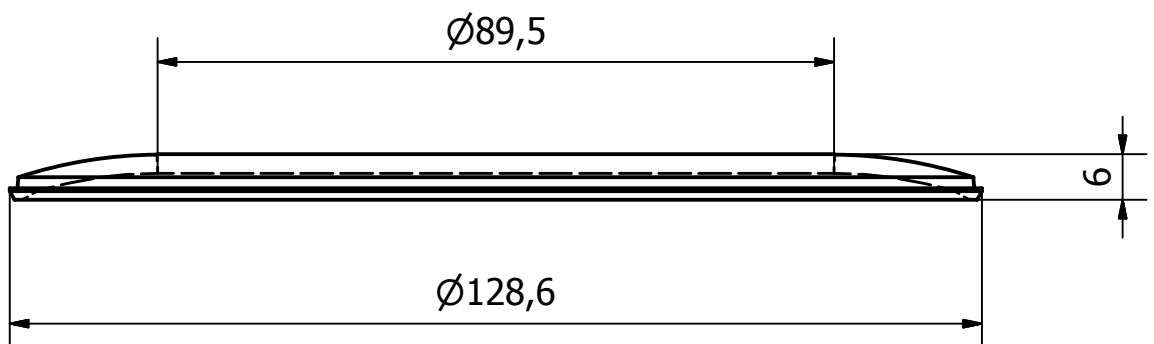
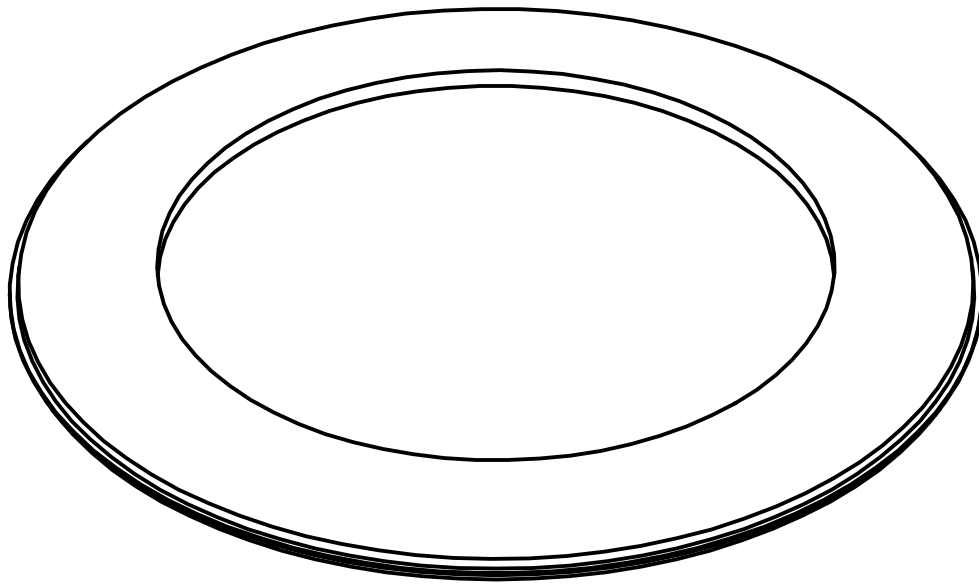


TITLE:

Disc Spring 46ST Ending V.4.0

PART NUMBER

RA712200

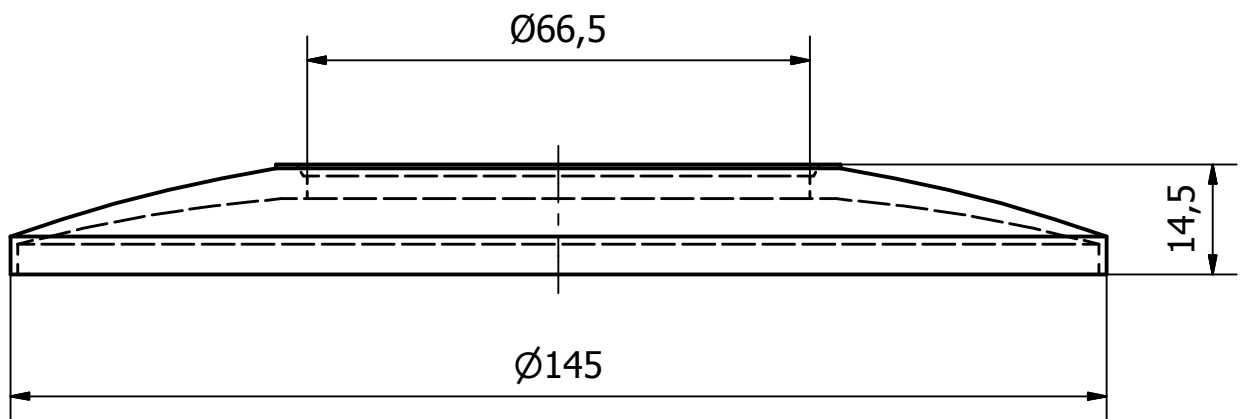
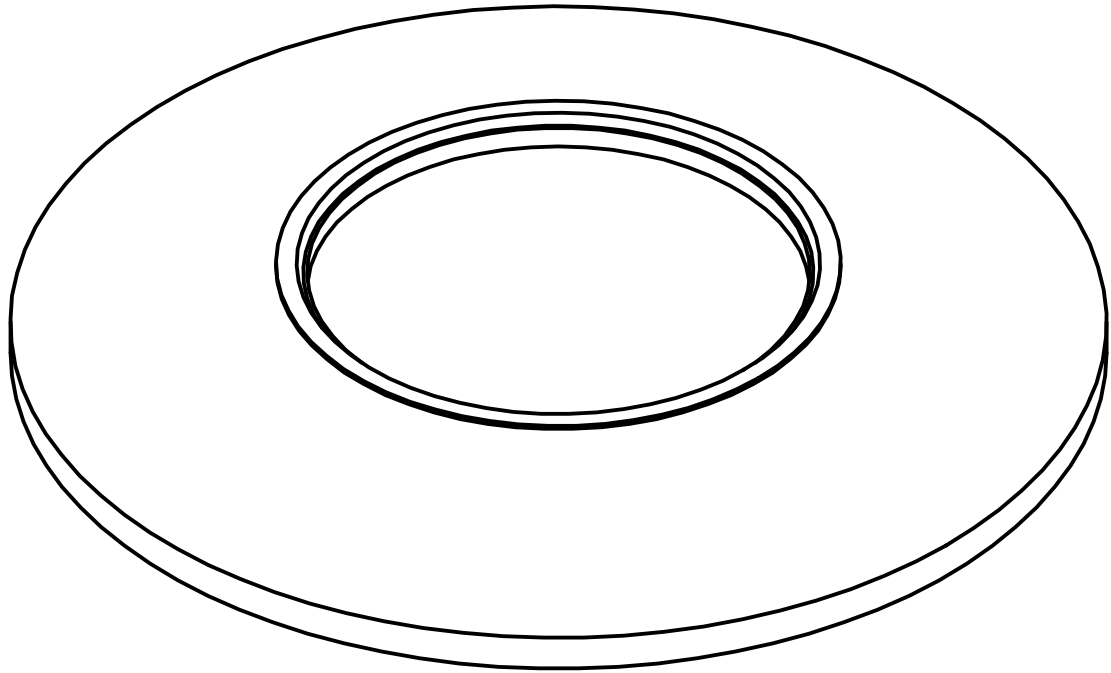


TITLE:

Disc Cap 46/48/50ST Starting v.4.1

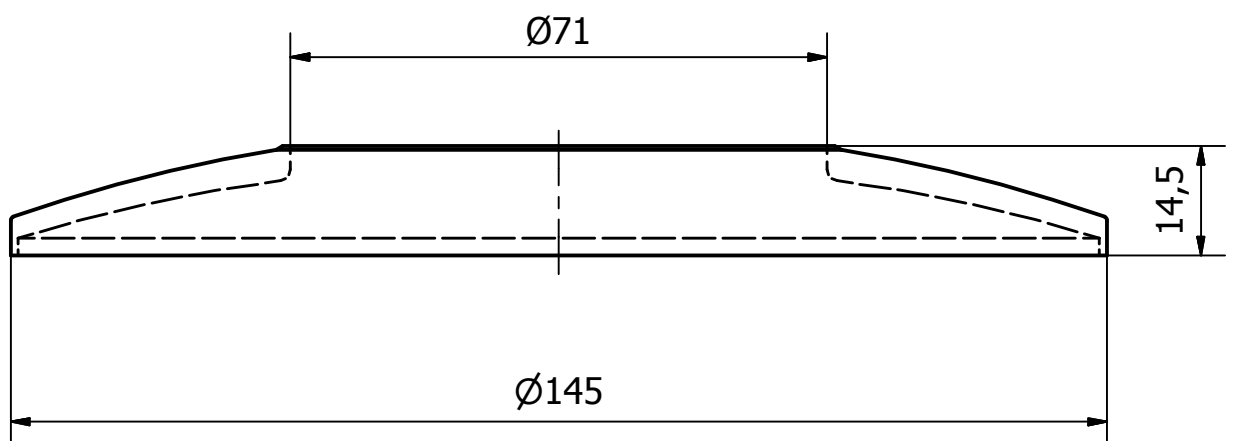
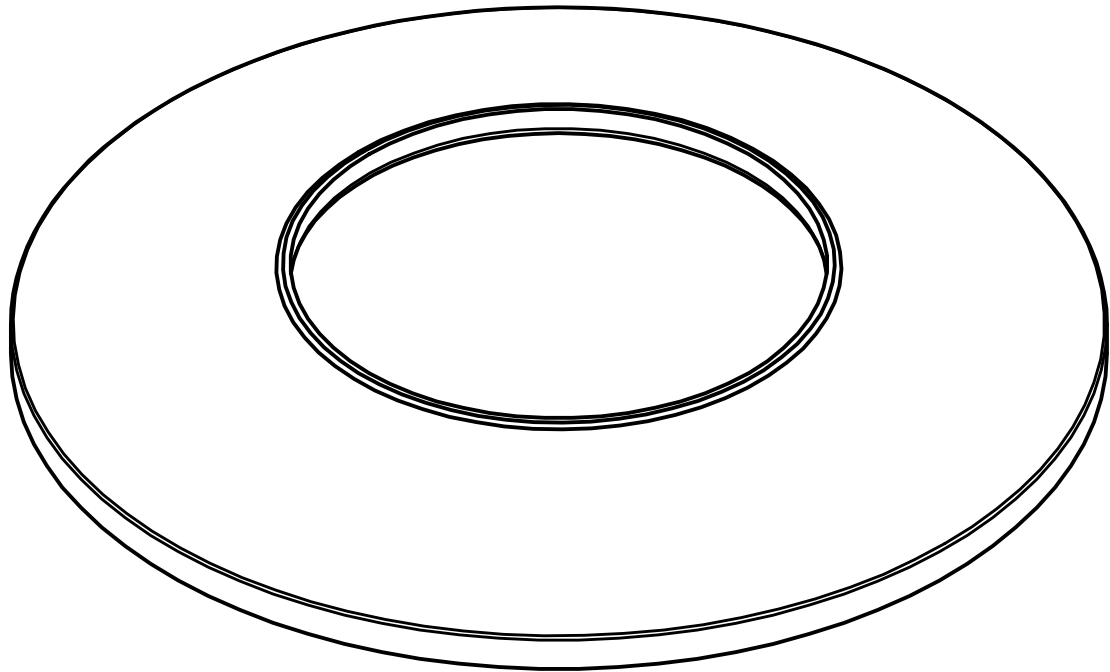
PART NUMBER

RA712210



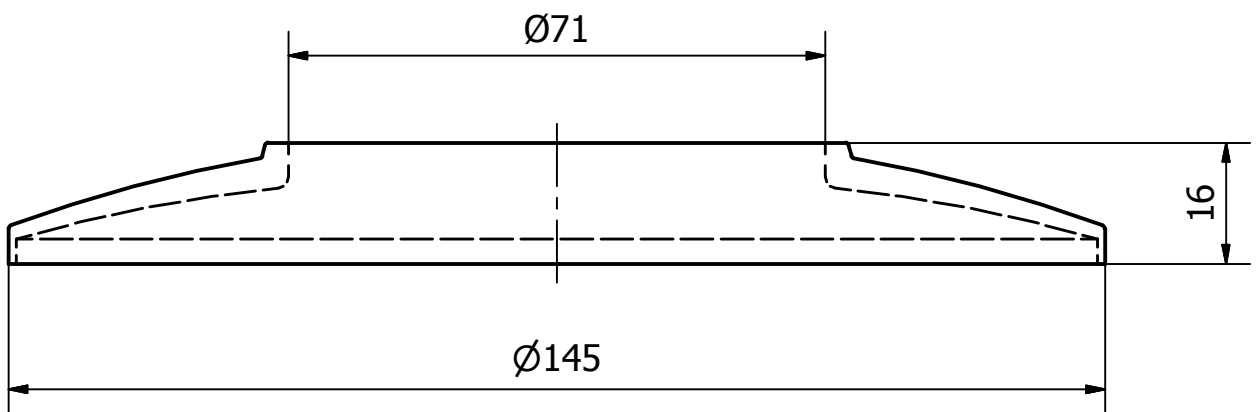
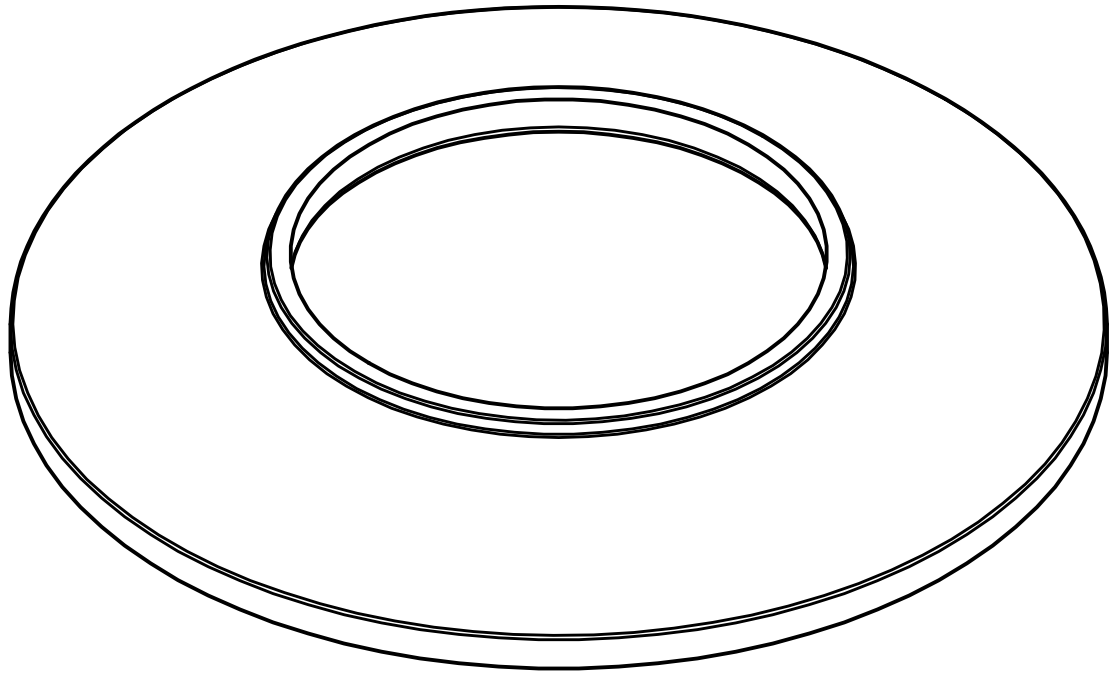
TITLE: **Disc Spring Starting 52ST v1.0**

PART NUMBER: **RA526900**



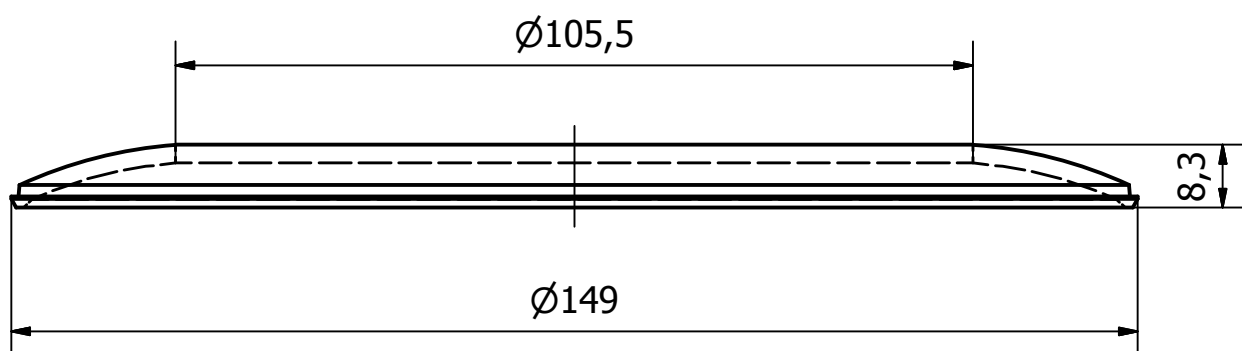
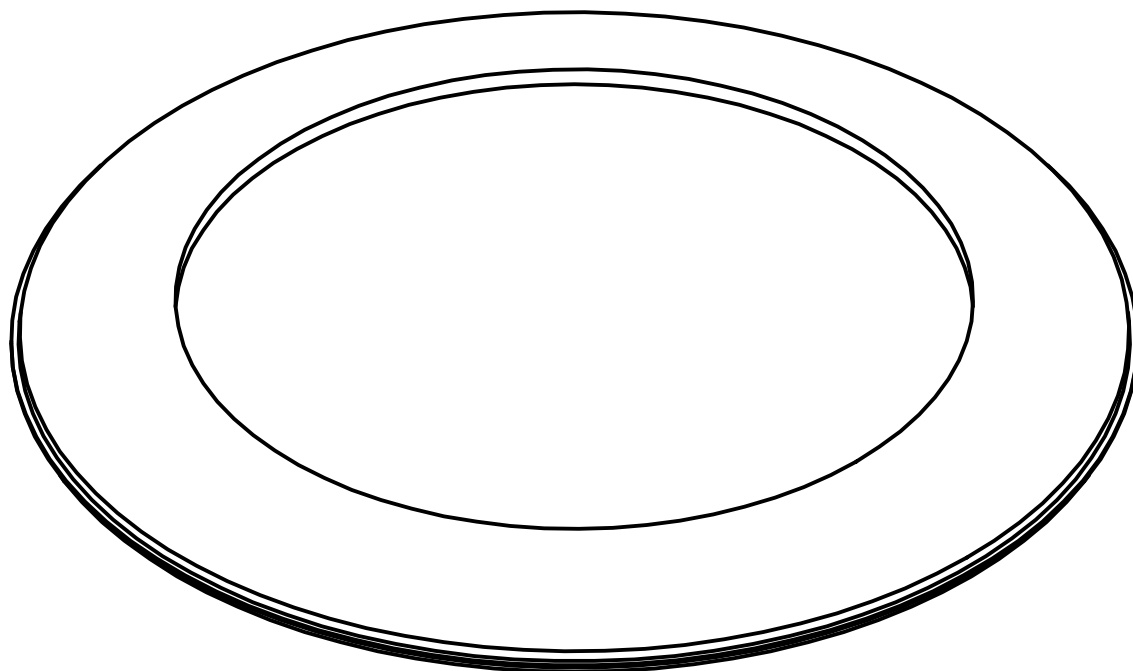
TITLE: **Disc Spring 52ST Ending 2004**

PART NUMBER: **RA526901**



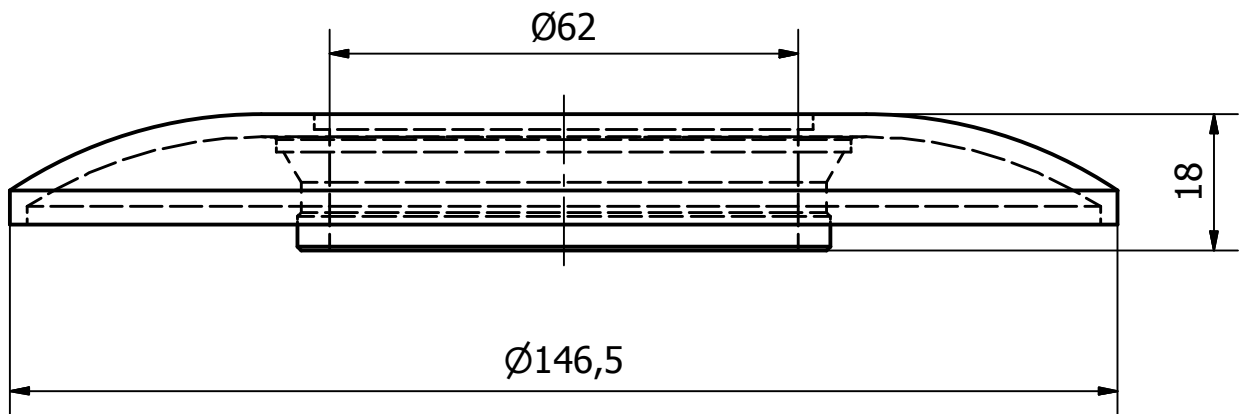
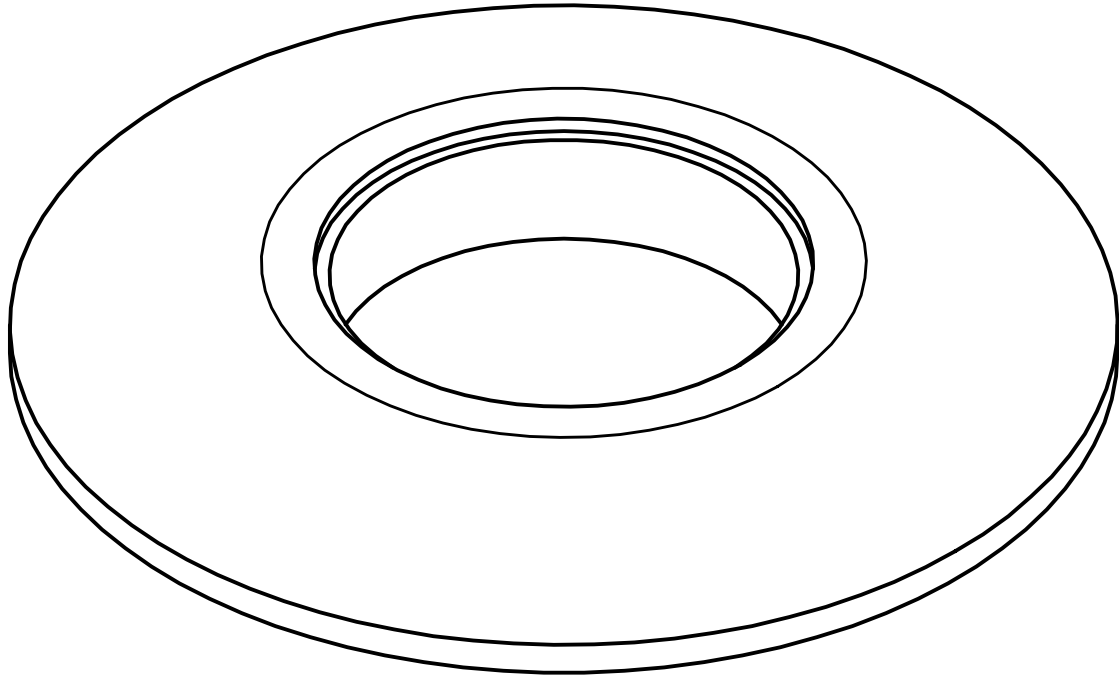
TITLE: **Disc Spring 52ST Ending v.2.5**

PART NUMBER: **RA526902**



TITLE: **Disc Cap 52ST Starting v.3.0**

PART NUMBER: **RA526910**

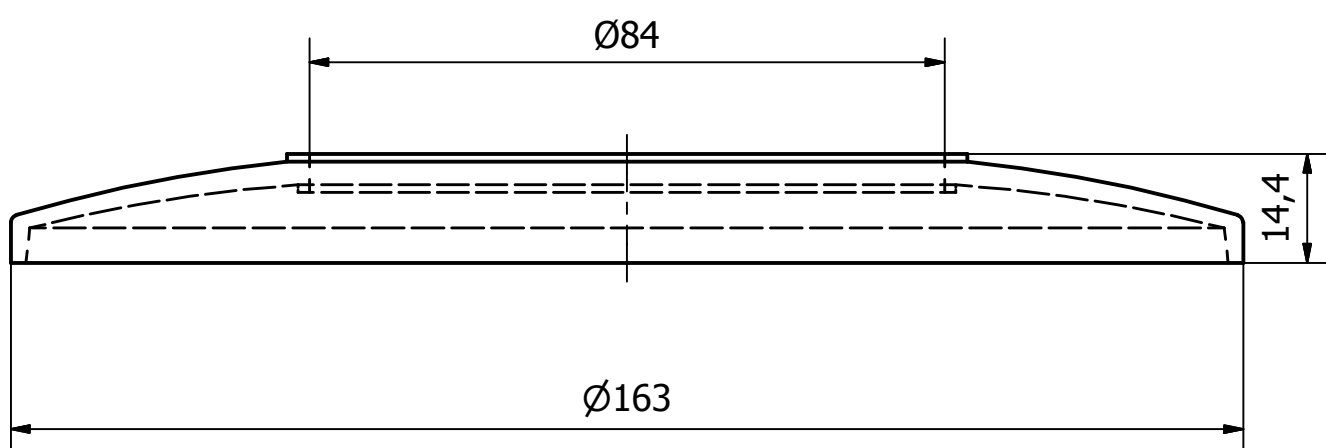
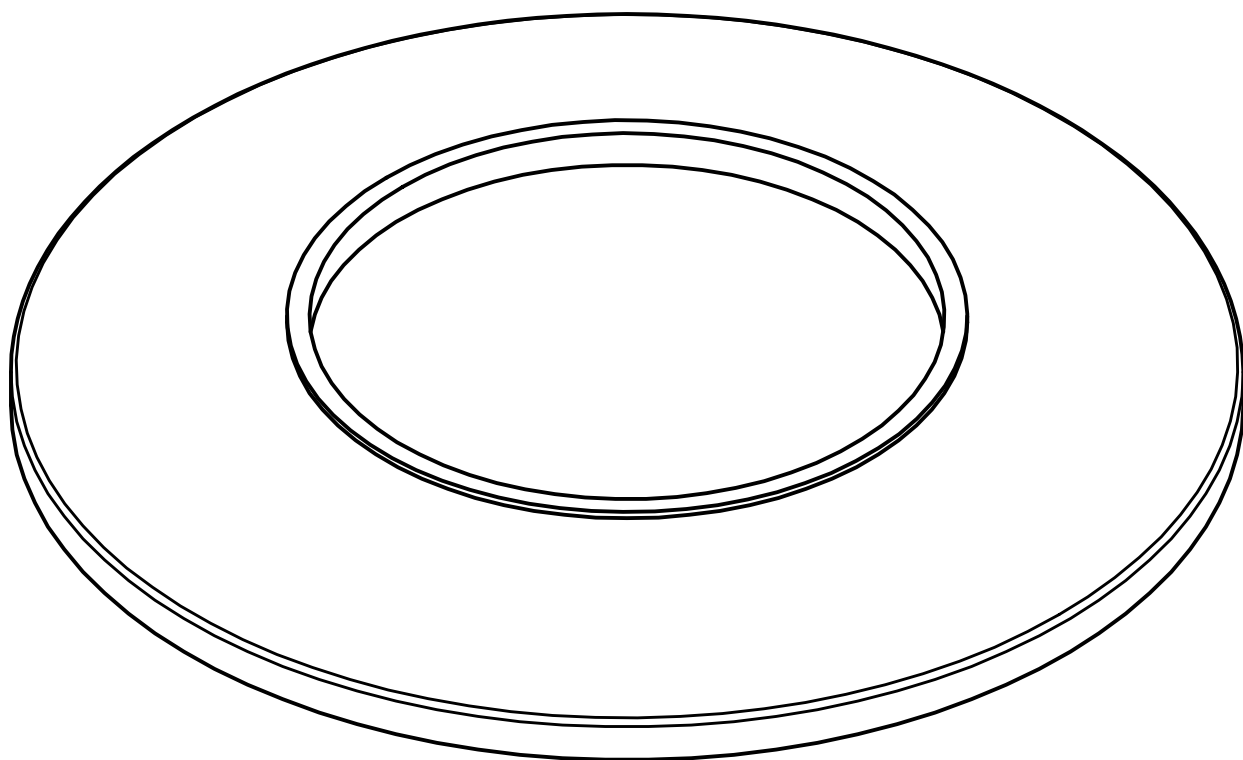


TITLE:

Disc Spring 56ST

PART NUMBER

RA723200

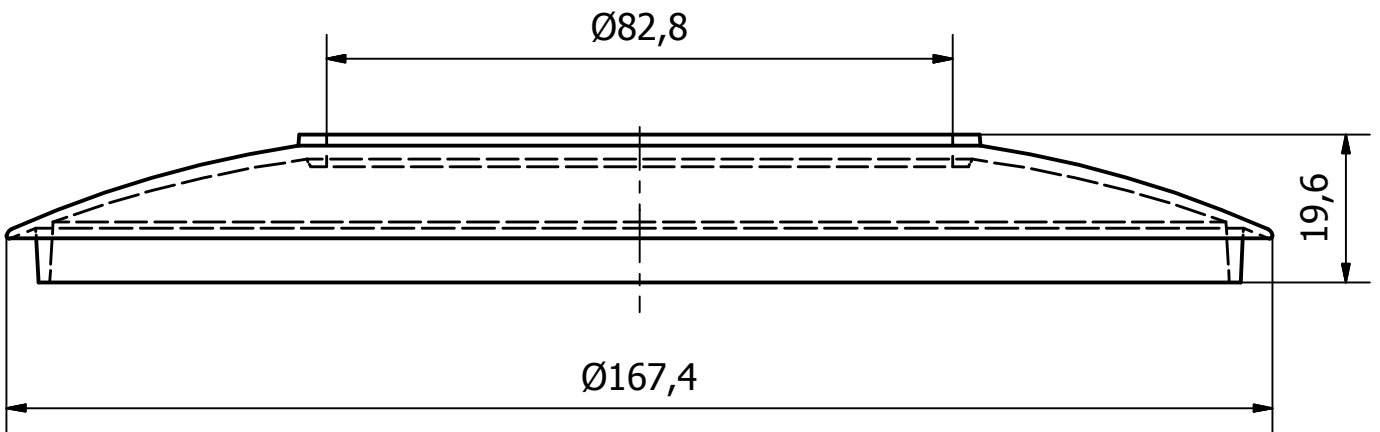
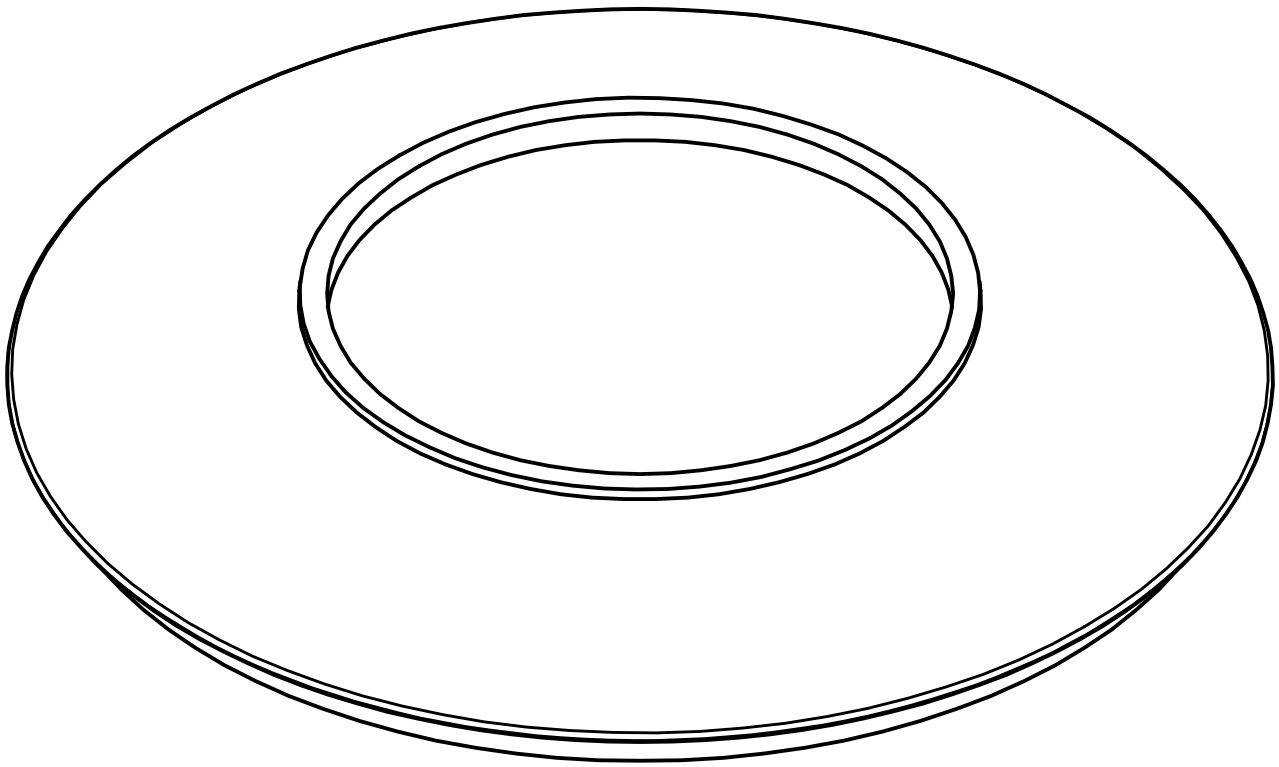


TITLE:

Disc Spring 58ST Ending v.1.3

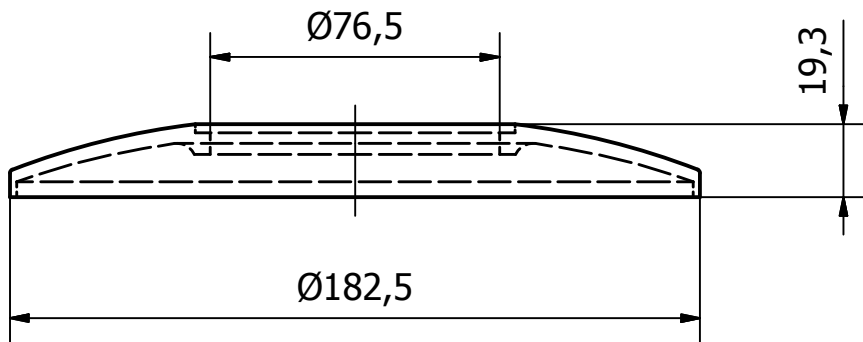
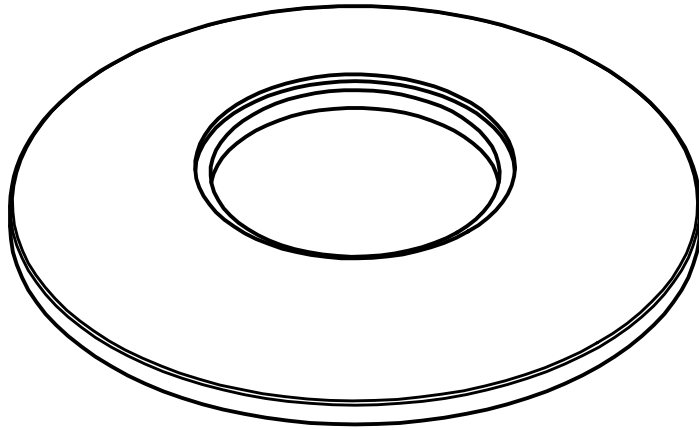
PART NUMBER

RA737000



TITLE: **Disc Spring 58ST Starting v.1.4**

PART NUMBER: **RA737001**

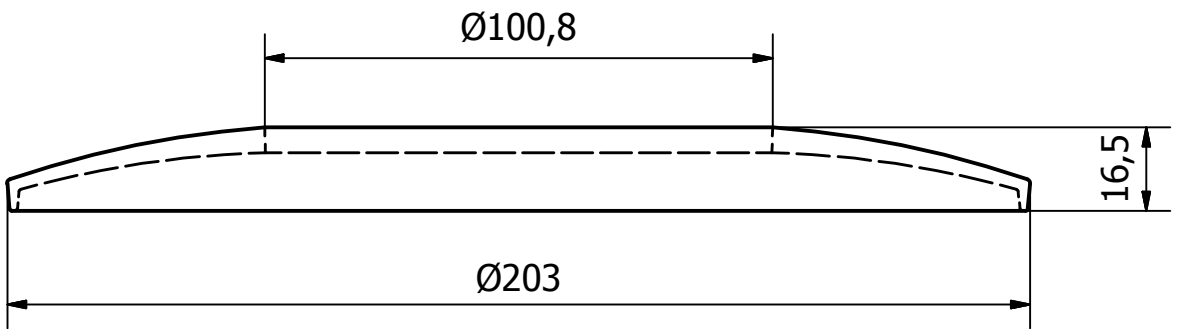
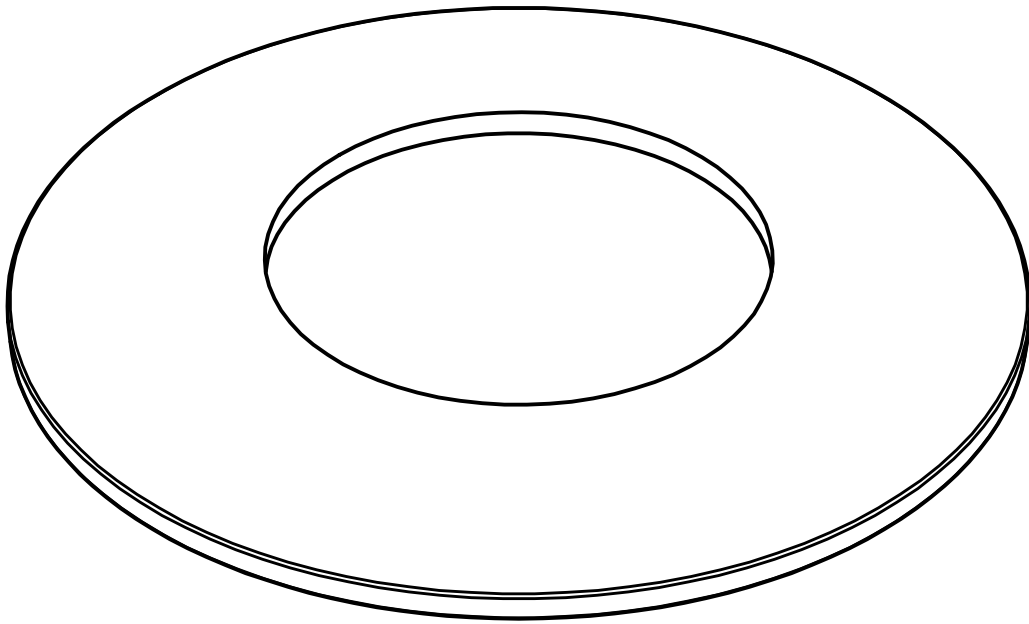


TITLE:

Disc Spring 66ST

PART NUMBER

RA530900

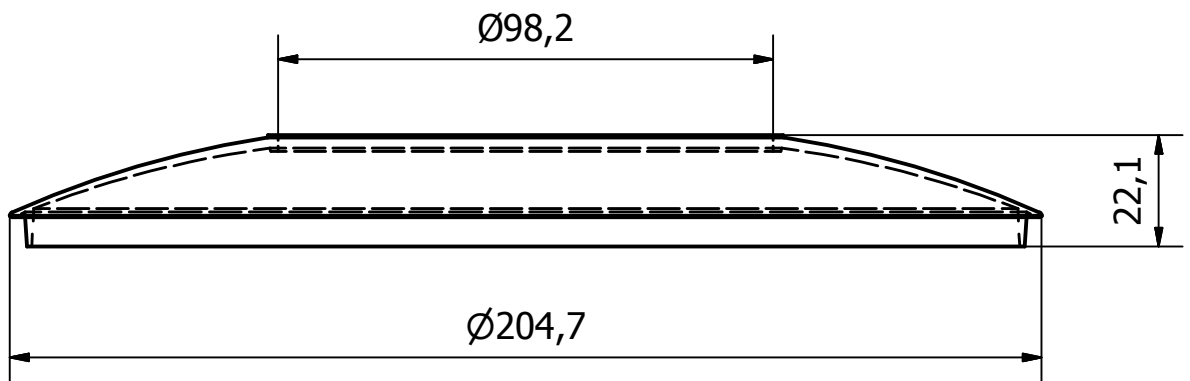
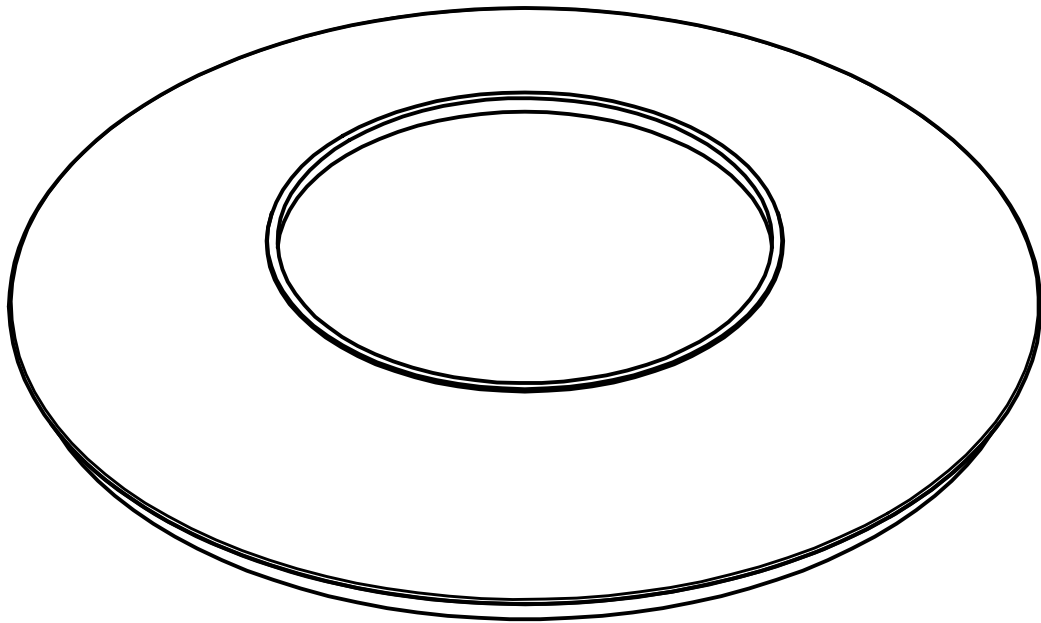


TITLE:

Spring Disc 68ST Ending v.2.4

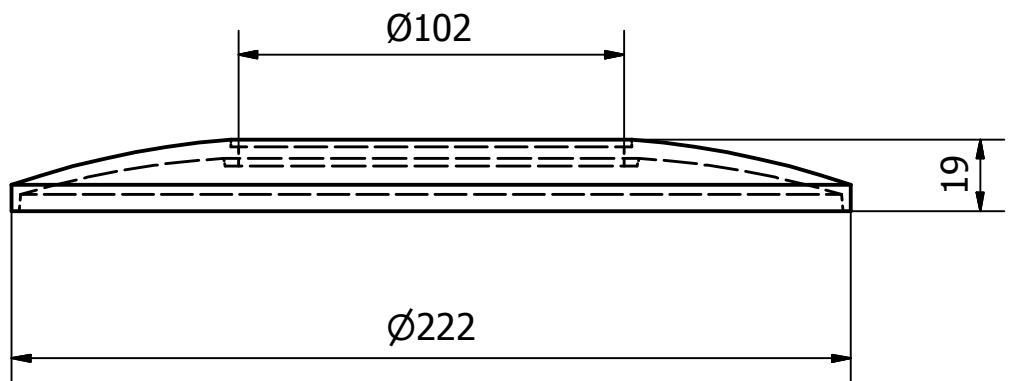
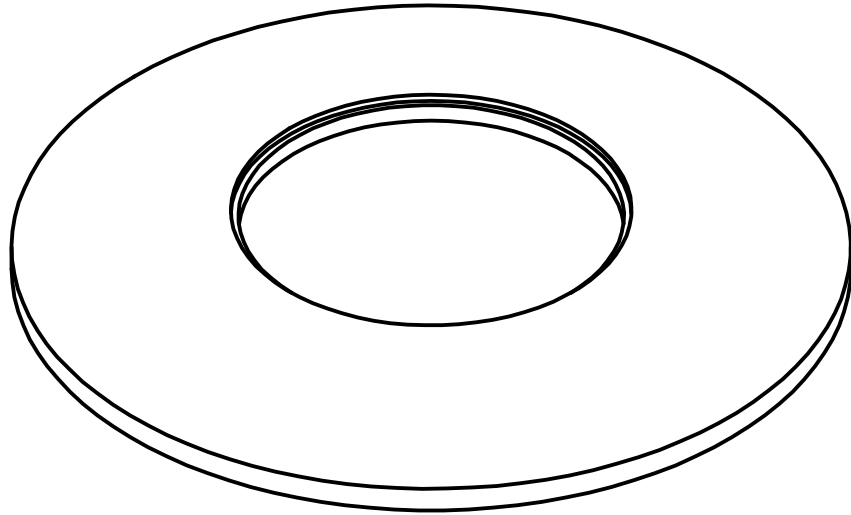
PART NUMBER

RA736900



TITLE: **Spring Disc 68ST Starting v.2.5**

PART NUMBER: **RA736901**

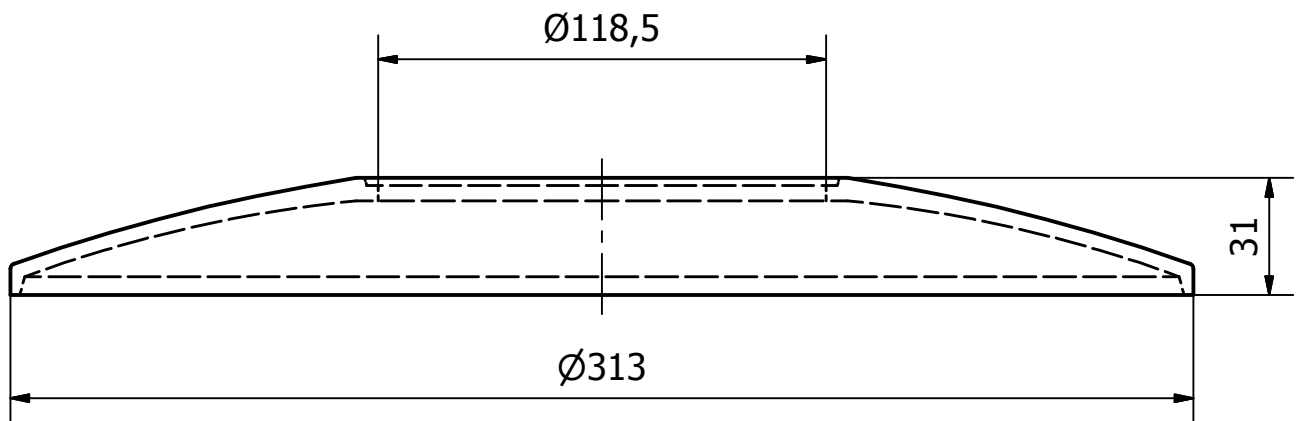
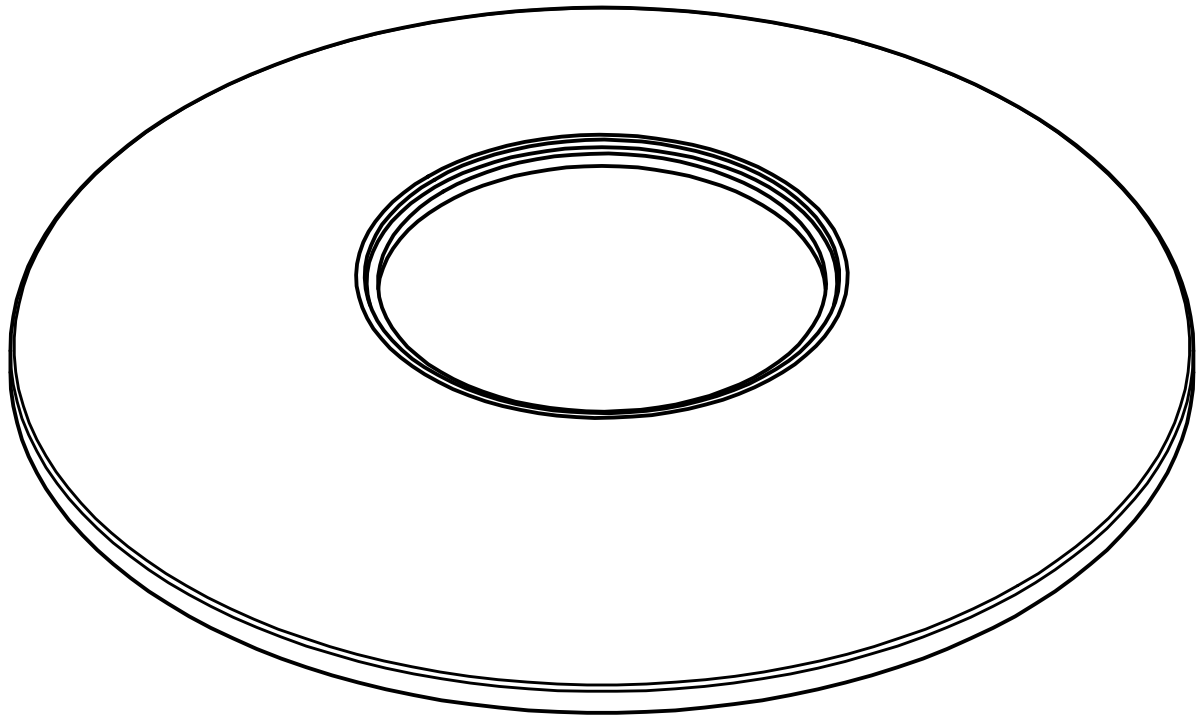


TITLE:

Disc Spring 78ST

PART NUMBER

RA538600



TITLE:

Disc Spring 110ST

PART NUMBER

RA527500