

# JBL Stage XD Series Loudspeakers

Indoor/Outdoor All Weather Loudspeakers



## Product Overview

Stage XD Series loudspeakers are designed to work in a wide variety of applications both indoors and outdoors. Their unique combination of features and patented acoustic technology instills them with extreme durability while delivering the highest level of audio. Elements including acoustic lens Aluminum dome tweeters, and patented High-Definition Imaging (HDI™) waveguides have been incorporated into the design to ensure that the sound is clear and accurate. Stage XD Series loudspeakers are available in 2 sizes featuring 5.25" (130mm) or 6.5" (165mm) Polypropylene Graphite Filled Cone Woofer. The IP67-rated waterproof enclosures are available in black or white finishes and wall-mount brackets are included to support a variety of installation options.

## Highlights

- IP67 Waterproof rating provides protection from the harshest of outdoor conditions
- Aluminum Dome Tweeters with Acoustic Lens for smooth on and off axis frequency response
- High-Definition Imaging (HDI™) waveguides with optimized geometry for smooth dispersion and low distortion
- Included wall-mount bracket allows for easy installation and angle adjustment
- Zero bezel magnetically attached grilles
- Rotatable logo for horizontal and vertical applications
- Sustainably designed packaging and product – the first repairable IP67 outdoor loudspeaker

Magnetically Attached Grille



Rotatable Logo for Horizontal and Vertical Applications

Compact IP67 waterproof cabinet



1" (25mm) Aluminum dome tweeter with Acoustic Lens mated to High-Definition Imaging (HDI™) horns

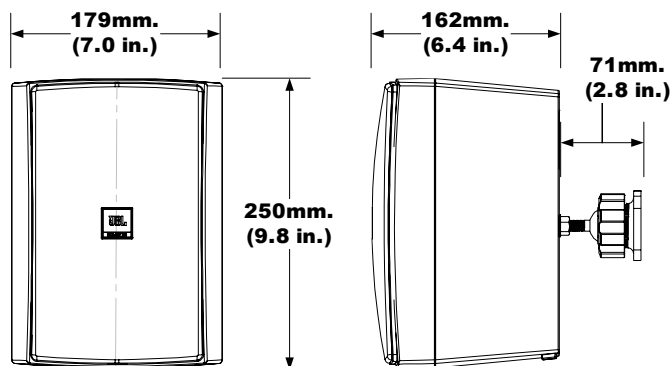
5.25" (130mm) or 6.5" (165mm) poly woofer

Included Versatile Post Ball Mount

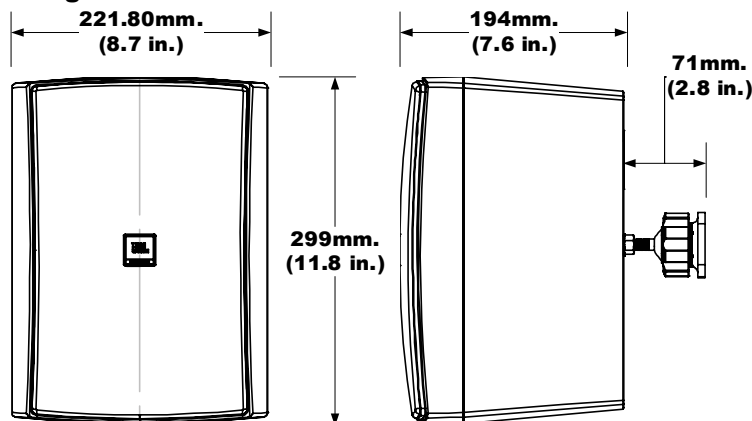


# Dimensions

**Stage XD-5**



**Stage XD-6**



# Specifications

	Stage XD-5 White	Stage XD-6 White
Product Type	2-way 5.25" (130mm) Indoor/Outdoor All Weather Loudspeaker	2-way 6.5" (165mm) Indoor/Outdoor All Weather Loudspeaker
<b>Technical Specs</b>		
Weatherproof Rating	IP67	IP67
High Frequency Transducer	1" (25mm) Aluminum dome with High-Definition Imaging (HDI™) waveguide	1" (25mm) Aluminum dome with High-Definition Imaging (HDI™) waveguide
Mid Frequency Transducer	na	na
Low Frequency Transducer	5.25" (130mm) Polypropylene Cone Woofer	6.5" (165mm) Polypropylene Cone Woofer
Nominal Impedance	6 ohms	6 ohms
Sensitivity (2.83V@1m)	86dB	88dB
Recommended Amplifier Power	20-100W RMS	20-100W RMS
Frequency Response (-6dB On-Axis)	75Hz-25kHz	55Hz-25kHz
Crossover Frequency	2500K	2500K
Operating Temperature	32° F (0° C) to 113° F (45° C)	32° F (0° C) to 113° F (45° C)
Product Dimensions (HxWxD)	9.84in (249.9mm) x 7.17in (182.1mm) X 6.37in (161.8mm)	11.77in (299mm) x 8.73in (221.8mm) X 7.64in (194.1mm)
Product Weight	2.3lbs (5kg)	2.9lbs (6.5kg)
Wall Mount Extension	2.8in (71mm)	2.8in (71mm)
<b>Shipping Information</b>		
Beauty Carton Dimensions (HxWxD)	12.6in (320mm) x 16.38in (416mm) X 10.08in (256mm)	14.69in (373mm) x 19.13in (486mm) X 10.87in (276mm)
Beauty Carton Weight	2.5lbs (5.5kg)	3.2lbs (7kg)
Beauty Carton Quantity	1pr	1pr
Master Carton Dimensions (HxWxD)	13.39in (340mm) x 31.02in (788mm) X 16.93in (430mm)	15.47in (393mm) x 33.39in (848mm) X 20.08in (510mm)
Master Carton Weight	7.7lbs (17kg)	10lbs (22kg)
Master Carton Quantity	3pr	3pr