

# Architectural Speaker Pre-Construction Brackets

## Quick Start Guide

### Overview

This pre-construction bracket can be used to locate and In-Wall and In-Ceiling speakers for new construction where the sheetrock for walls and ceilings is not yet installed. Follow the steps below to assemble and install the brackets.

### What's in the Box

- 1x Pre-Construction Bracket
- 2x Installation Wings
- 1x Installation Guide (This Document)

Refer to the Installation Guide/Owner Manual for the speaker being installed for complete installation instructions.



**IMPORTANT!** HARMAN International assumes no responsibility for improper installation of hardware or for any personal injuries or product damages resulting from improper installation or a fallen loudspeaker. Read through this and other installation documents in their entirety and heed all warning before proceeding with the installation of these product(s).

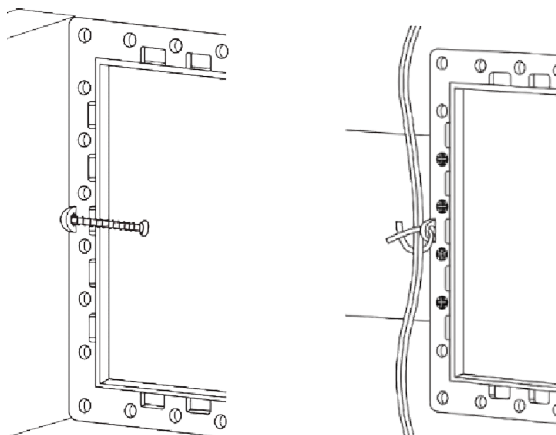
## Installing the Bracket

### Bracket Attachment Method

1. Verify that the bracket is correct for the speaker being installed.
2. Determine the wall/ceiling location for the speaker and identify which installation method works best for the location.

### Attaching Direct to Stud/Cable

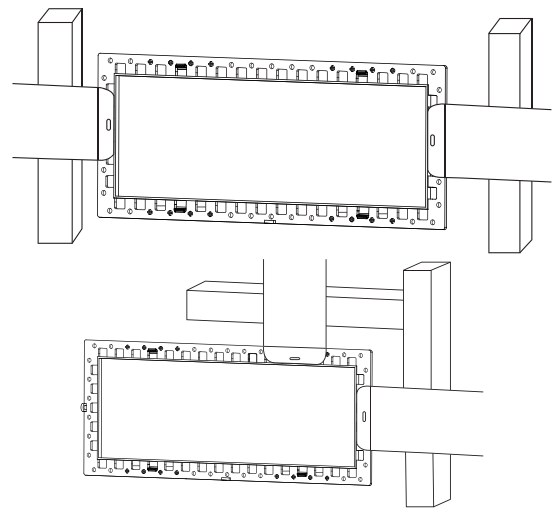
1. Locate the ring on the side of the bracket based on the orientation.
2. Using a wood screw, secure the bracket to an installed stud.
3. Alternately the bracket can be attached using a small piece of wire to a cable run in wall and secured the top and bottom.



### Attaching Using Bracket Wings

Each bracket comes with a set of wings that snap onto the bracket and are then secured to the studs. These wings allow for the bracket to be suspended in place prior to the sheetrock being installed.

1. Determine where the speaker will be located observe how the studs are arranged.
2. Secure the wings to the bracket orientated per the arrangement of the studs.
3. Secure the wings to the studs using screws or nails.



## Installing Bracket Wings

1. Position the wings alongside the bracket in position.



2. Align the pins in the wing with the holes in the bracket.



3. Gently press wing into place until the center clip snaps into place.



## Removing Bracket Wings

1. Using your thumb, apply pressure to the center lock tab.
2. Press in the pins in the wing to separate the wing from the bracket.



3. If more pressure is required on the tab a slotted screwdriver may be used.

**NOTE:** Be gentle when applying pressure with the screwdriver as to not break the lock tab.



Harman International Industries, Incorporated.  
8500 Balboa Blvd, Northridge CA 91329 United States.

**European Representative:** Harman International Industries, Incorporated.  
EMEA Liaison Office, Danzigerkade 16G, 1013 AP Amsterdam, The Netherlands.

**UK Business Address:** Ground Floor, Westside 2, London Road, Apsley, Hemel Hempstead, Hertfordshire, HP3 9TD, United Kingdom.

© 2022 Harman International Industries, Incorporated. All Rights Reserved.  
JBL is a trademark of Harman International Industries, Incorporated registered in the United States and other countries.  
Features, Specifications, and Appearance subject to change without notice.